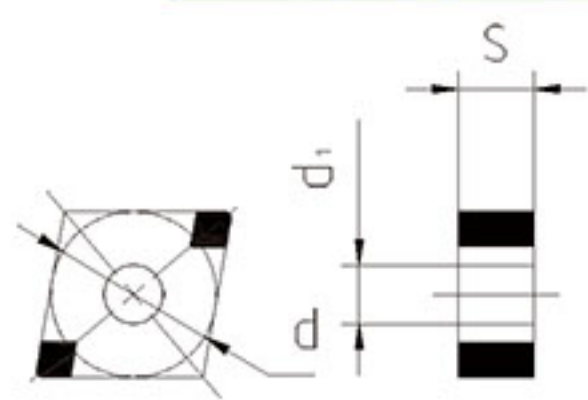
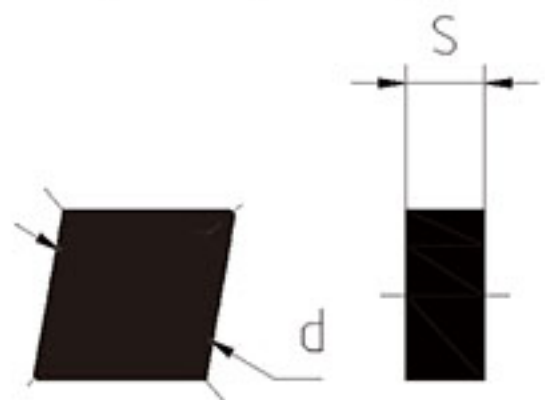


### CBN Tip and Four Edge



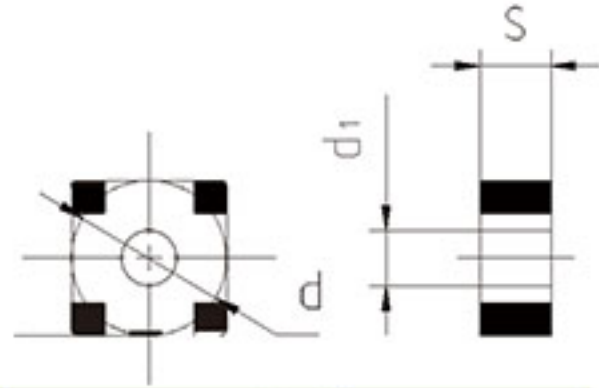
Model	Size			Material			
	d	S	d <sub>1</sub>	GT96S	GT90	GT70	GT50
CNGA 120404 VD10-4	12.7	4.76	5.16	●	●	●	●
CNGA 120404 VE10-4				●	●	●	●
CNGA 120408 VD10-4	12.7	4.76	5.16	●	●	●	●
CNGA 120408 VE10-4				●	●	●	●
CNGA 120412 VD10-4	12.7	4.76	5.16	●	●	●	●
CNGA 120412 VE10-4				●	●	●	●

### CBN Solid Insert



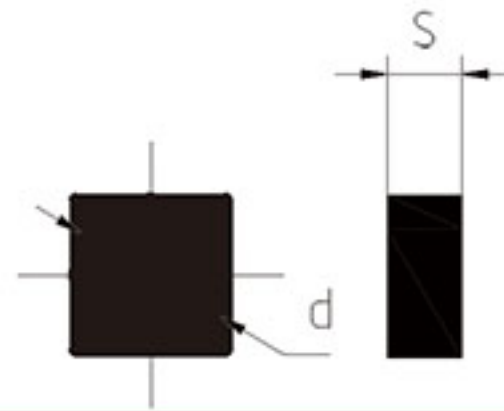
Model	Size		Material			
	d	S	GT96S	GT90	GT70	GT50
TCNGN090304VE10-4	9.525	3.18	●	●	●	●
TCNGN090304WE10-4			●	●	●	●
TCNGN090304XE10-4			●	●	●	●
TCNGN090308VE10-4	9.525	3.18	●	●	●	●
TCNGN090308WE10-4			●	●	●	●
TCNGN090308XE10-4			●	●	●	●
TCNGN090312VE10-4	9.525	3.18	●	●	●	●
TCNGN090312WE10-4			●	●	●	●
TCNGN090312XE10-4			●	●	●	●
TCNGN120408VE10-4	12.7	4.76	●	●	●	●
TCNGN120408WE10-4			●	●	●	●
TCNGN120408XE10-4			●	●	●	●
TCNGN120412VE10-4	12.7	4.76	●	●	●	●
TCNGN120412WE10-4			●	●	●	●
TCNGN120412XE10-4			●	●	●	●

## CBN Tip Eight Blade



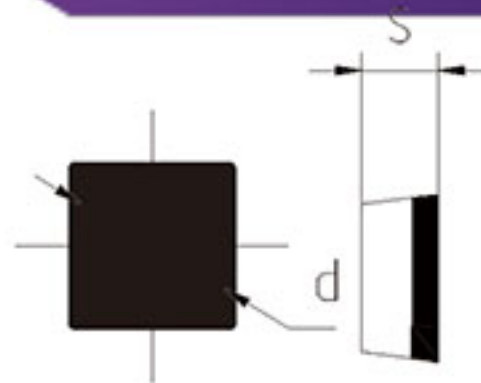
Model	Size			Material			
	d	S	d <sub>1</sub>	GT96S	GT90	GT70	GT50
SNGA120404VE10-8	12.7	4.76	5.16	●	●	●	●
SNGA120404WE10-8				●	●	●	●
SNGA120408VE10-8	12.7	4.76	5.16	●	●	●	●
SNGA120408WE10-8				●	●	●	●
SNGA120412VE10-8	12.7	4.76	5.16	●	●	●	●
SNGA120412WE10-8				●	●	●	●

## CBN Solid Insert



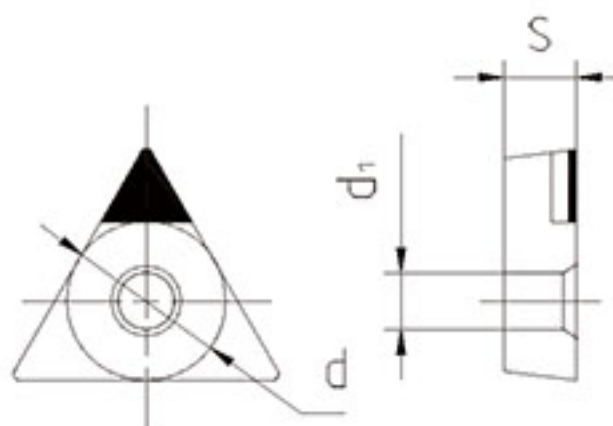
Model	Size		Material			
	d	S	GT96S	GT90	GT70	GT50
TSNGN090308WE15-8	9.525	3.18	●	●	●	●
TSNGN090308WF15-8			●	●	●	●
TSNGN090308XE15-8			●	●	●	●
TSNGN090308XF15-8			●	●	●	●
TSNGN090312WE15-8	9.525	3.18	●	●	●	●
TSNGN090312WF15-8			●	●	●	●
TSNGN090312XE15-8			●	●	●	●
TSNGN090312XF15-8			●	●	●	●
TSNGN120408WE15-8	12.7	4.76	●	●	●	●
TSNGN120408WF15-8			●	●	●	●
TSNGN120408XE15-8			●	●	●	●
TSNGN120408XF15-8			●	●	●	●
TSNGN120412WE15-8	12.7	4.76	●	●	●	●
TSNGN120412WF15-8			●	●	●	●
TSNGN120412XE15-8			●	●	●	●
TSNGN120412XF15-8			●	●	●	●

### CBN Full Top



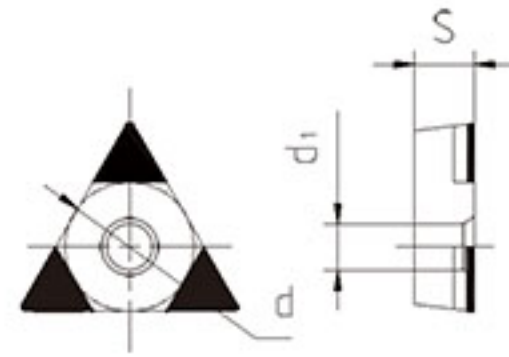
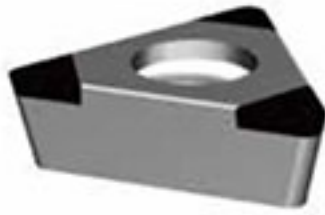
Model	Size		Material			
	d	S	GT96S	GT90	GT70	GT50
ZSPGN090308VE05-4	9.525	3.18	●	●	●	●
ZSPGN090308WE05-4			●	●	●	●
ZSPGN090312VE05-4	9.525	3.18	●	●	●	●
ZSPGN090312WE05-4			●	●	●	●

### CBN Tip Single Edge



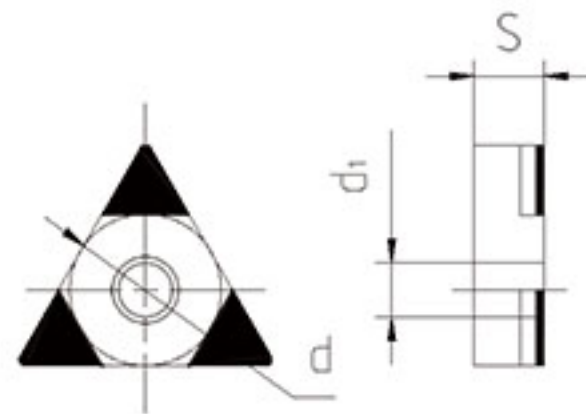
Model	Size			Material			
	d	S	d <sub>1</sub>	GT96S	GT90	GT70	GT50
TCGW090204VD05-1	5.56	2.38	2.5	●	●	●	●
TCGW090204WD05-1				●	●	●	●
TCGW090208VD05-1	5.56	2.38	2.5	●	●	●	●
TCGW090208WD05-1				●	●	●	●
TCGW110204VD05-1	6.35	2.38	2.8	●	●	●	●
TCGW110204WD05-1				●	●	●	●
TCGW110208VD05-1	6.35	2.38	2.8	●	●	●	●
TCGW110208WD05-1				●	●	●	●

## CBN Tip Three Edge



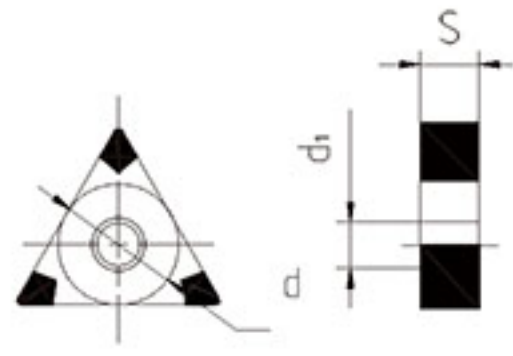
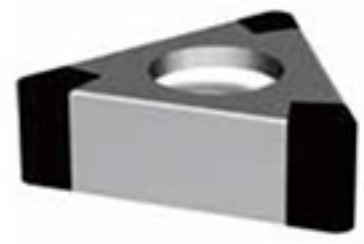
Model	Size			Material			
	d	S	d <sub>1</sub>	GT96S	GT90	GT70	GT50
TCGW090204VD05-3	5.56	2.38	2.5				
TCGW090204WD05-3				●	●	●	●
TCGW090208VD05-3	5.56	2.38	2.5	●	●	●	●
TCGW090208WD05-3				●	●	●	●
TCGW110204VD05-3	6.35	2.38	2.8	●	●	●	●
TCGW110204WD05-3				●	●	●	●
TCGW110208VD05-3	6.35	2.38	2.8	●	●	●	●
TCGW110208WD05-3				●	●	●	●

## CBN Tip Three Edge



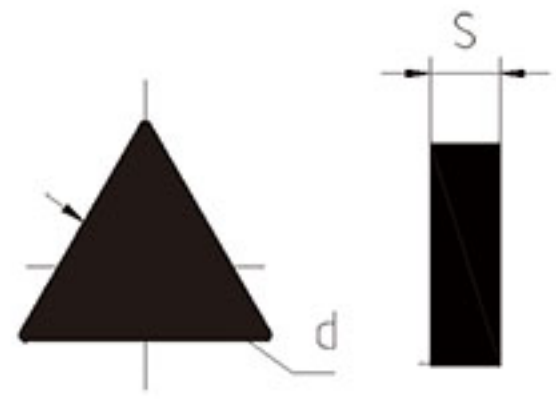
Model	Size			Material			
	d	S	d <sub>1</sub>	GT96S	GT90	GT70	GT50
TNGA160404WE10-3	9.525	4.76	3.81	●	●	●	●
TNGA160404XE10-3				●	●	●	●
TNGA160408WE10-3	9.525	4.76	3.81	●	●	●	●
TNGA160408XE10-3				●	●	●	●
TNGA160412WE10-3	9.525	4.76	3.81	●	●	●	●
TNGA160412XE10-3				●	●	●	●

### CBN Tip Six Edge



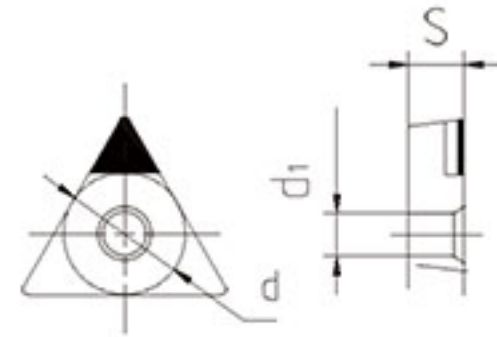
Model	Size			Material			
	d	S	d <sub>1</sub>	GT96S	GT90	GT70	GT50
TNGA160404WE10-6	9.525	4.76	3.81	●	●	●	●
TNGA160404XE10-6				●	●	●	●
TNGA160408WE10-6	9.525	4.76	3.81	●	●	●	●
TNGA160408XE10-6				●	●	●	●
TNGA160412WE10-6	9.525	4.76	3.81	●	●	●	●
TNGA160412XE10-6				●	●	●	●

### CBN Full Top



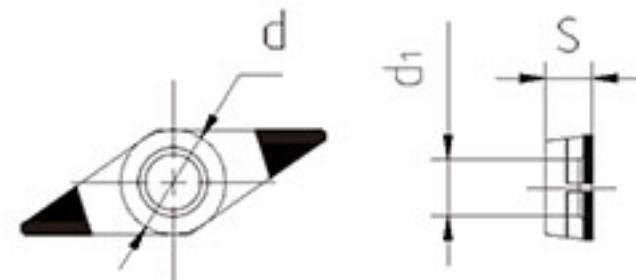
Model	Size		Material			
	d	S	GT96S	GT90	GT70	GT50
TTNGN110304WF10-6	6.35	3.18	●	●	●	●
TTNGN110304XE10-6			●	●	●	●
TTNGN110304XF10-6			●	●	●	●
TTNGN110308WF10-6	6.35	3.18	●	●	●	●
TTNGN110308XE10-6			●	●	●	●
TTNGN110308XF10-6			●	●	●	●
TTNGN110312WF10-6	6.35	3.18	●	●	●	●
TTNGN110312XE10-6			●	●	●	●
TTNGN110312XF10-6			●	●	●	●

## CBN Tip Single Edge



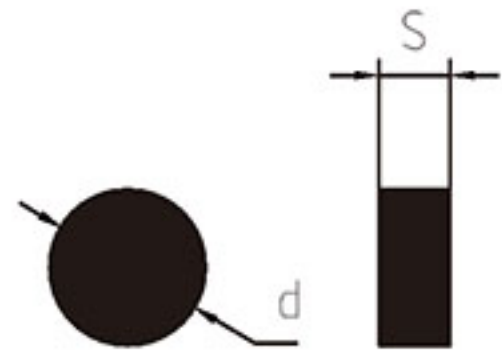
Model	Size			Material			
	d	S	d <sub>1</sub>	GT96S	GT90	GT70	GT50
TPGW090204VD05-1	5.56	2.38	2.5	●	●	●	●
TPGW090204WD05-1				●	●	●	●
TPGW090208VD05-1	5.56	2.38	2.5	●	●	●	●
TPGW090208WD05-1				●	●	●	●
TPGW110204VD05-1	6.35	2.38	2.8	●	●	●	●
TPGW110204WD05-1				●	●	●	●
TPGW110208VD05-1	6.35	2.38	2.8	●	●	●	●
TPGW110208WD05-1				●	●	●	●

## CBN Tip Double Edge



Model	Size			Material			
	d	S	d <sub>1</sub>	GT96S	GT90	GT70	GT50
VBGW160404WE10-2	9.525	4.76	4.4	●	●	●	●
VBGW160404WF10-2				●	●	●	●
VBGW160408WE10-2	9.525	4.76	4.4	●	●	●	●
VBGW160408WF10-2				●	●	●	●
VBGW160412WE10-2	9.525	4.76	4.4	●	●	●	●
VBGW160412WF10-2				●	●	●	●

### CBN Full Top



Model	Size		Material			
	d	S	GT96S	GT90	GT70	GT50
TRNGN060300WE10-1	6.35	3.18	●	●	●	●
TRNGN060300WE15-1			●	●	●	●
TRNGN060300XE10-1			●	●	●	●
TRNGN060300XE15-1			●	●	●	●
TRNGN090300WE10-1	9.525	3.18	●	●	●	●
TRNGN090300WE15-1			●	●	●	●
TRNGN090300XE10-1			●	●	●	●
TRNGN090300XE15-1			●	●	●	●
TRNGN120400WE10-1	12.7	4.76	●	●	●	●
TRNGN120400WE15-1			●	●	●	●
TRNGN120400XE10-1			●	●	●	●
TRNGN120400XE15-1			●	●	●	●