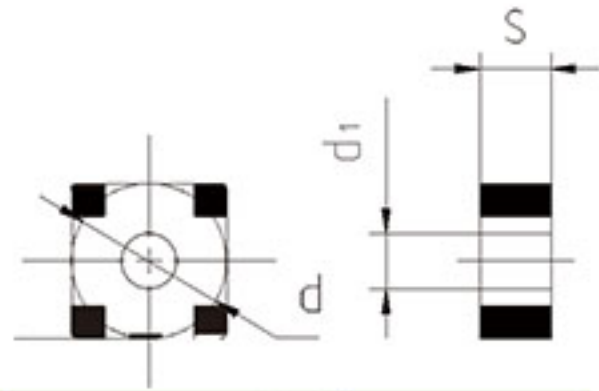
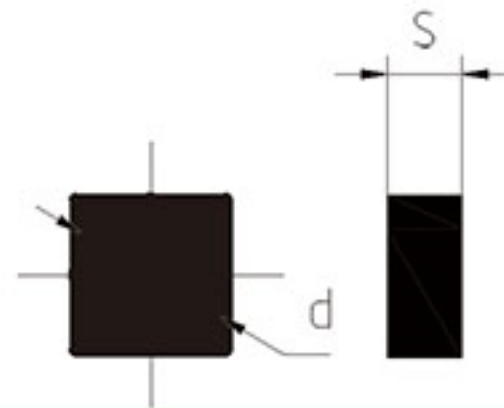


CBN Tip Eight Blade



Model	Size			Material			
	d	S	d ₁	GT96S	GT90	GT70	GT50
SNGA120404VE10-8	12.7	4.76	5.16	●	●	●	●
SNGA120404WE10-8				●	●	●	●
SNGA120408VE10-8	12.7	4.76	5.16	●	●	●	●
SNGA120408WE10-8				●	●	●	●
SNGA120412VE10-8	12.7	4.76	5.16	●	●	●	●
SNGA120412WE10-8				●	●	●	●

CBN Solid Insert



Model	Size		Material			
	d	S	GT96S	GT90	GT70	GT50
TSNGN090308WE15-8	9.525	3.18	●	●	●	●
TSNGN090308WF15-8			●	●	●	●
TSNGN090308XE15-8			●	●	●	●
TSNGN090308XF15-8			●	●	●	●
TSNGN090312WE15-8	9.525	3.18	●	●	●	●
TSNGN090312WF15-8			●	●	●	●
TSNGN090312XE15-8			●	●	●	●
TSNGN090312XF15-8			●	●	●	●
TSNGN120408WE15-8	12.7	4.76	●	●	●	●
TSNGN120408WF15-8			●	●	●	●
TSNGN120408XE15-8			●	●	●	●
TSNGN120408XF15-8			●	●	●	●
TSNGN120412WE15-8	12.7	4.76	●	●	●	●
TSNGN120412WF15-8			●	●	●	●
TSNGN120412XE15-8			●	●	●	●
TSNGN120412XF15-8			●	●	●	●