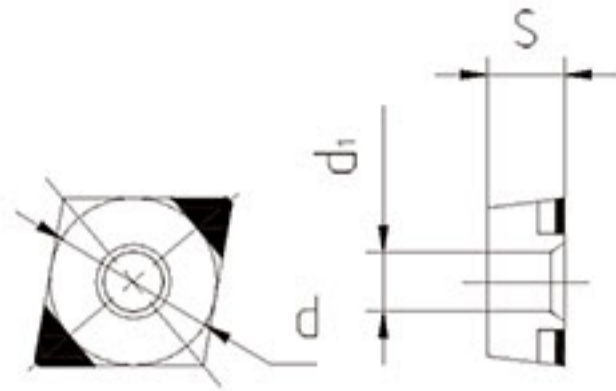
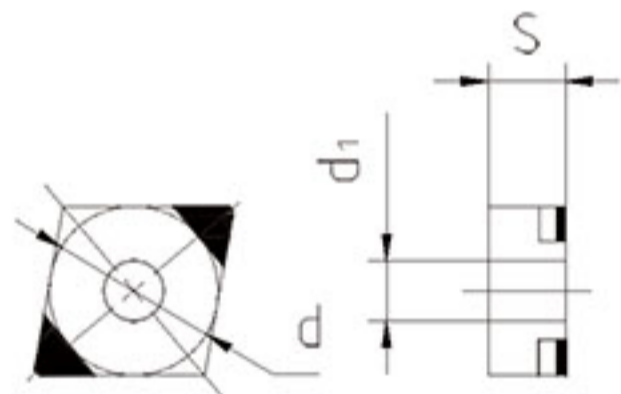


## CBN Tip Double Edge



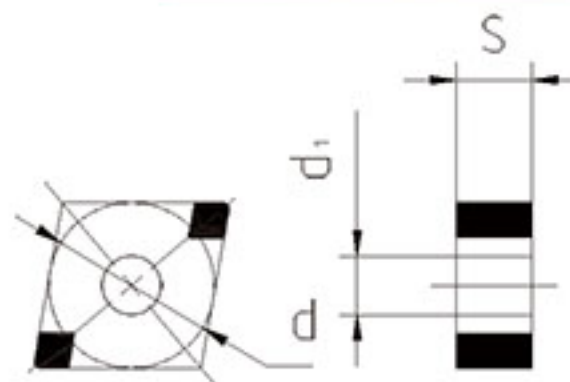
Model	Size			Material			
	d	S	d <sub>1</sub>	GT96S	GT90	GT70	GT50
CCGW060202VE10-2	6.35	2.38	2.8	●	●	●	●
CCGW060202WE10-2				●	●	●	●
CCGW060204VE10-2	6.35	2.38	2.8	●	●	●	●
CCGW060204WE10-2				●	●	●	●
CCGW09T302VE10-2	9.525	3.97	4.4	●	●	●	●
CCGW09T302WE10-2				●	●	●	●
CCGW09T304VE10-2	9.525	3.97	4.4	●	●	●	●
CCGW09T304WE10-2				●	●	●	●
CCGW09T308VE10-2	9.525	3.97	4.4	●	●	●	●
CCGW09T308WE10-2				●	●	●	●

## CBN Tip Double Edge



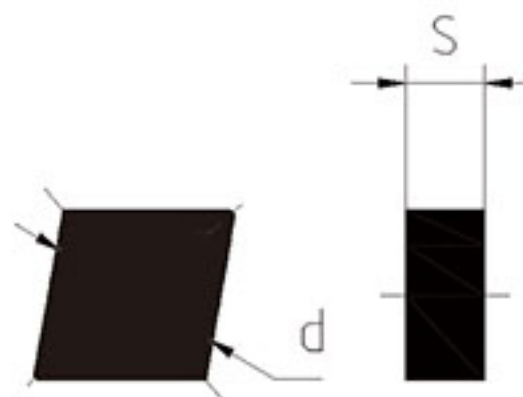
Model	Size			Material			
	d	S	d <sub>1</sub>	GT96S	GT90	GT70	GT50
CNGA120404VD10-2	12.7	4.76	5.16	●	●	●	●
CNGA120404VE10-2				●	●	●	●
CNGA120408VD10-2	12.7	4.76	5.16	●	●	●	●
CNGA120408VE10-2				●	●	●	●
CNGA120412VD10-2	12.7	4.76	5.16	●	●	●	●
CNGA120412VE10-2				●	●	●	●

## CBN Tip and Four Edge



Model	Size			Material			
	d	S	d <sub>1</sub>	GT96S	GT90	GT70	GT50
CNGA 120404 VD10-4	12.7	4.76	5.16	●	●	●	●
CNGA 120404 VE10-4				●	●	●	●
CNGA 120408 VD10-4	12.7	4.76	5.16	●	●	●	●
CNGA 120408 VE10-4				●	●	●	●
CNGA 120412 VD10-4	12.7	4.76	5.16	●	●	●	●
CNGA 120412 VE10-4				●	●	●	●

## CBN Solid Insert



Model	Size		Material			
	d	S	GT96S	GT90	GT70	GT50
TCNGN090304VE10-4	9.525	3.18	●	●	●	●
TCNGN090304WE10-4			●	●	●	●
TCNGN090304XE10-4			●	●	●	●
TCNGN090308VE10-4	9.525	3.18	●	●	●	●
TCNGN090308WE10-4			●	●	●	●
TCNGN090308XE10-4			●	●	●	●
TCNGN090312VE10-4	9.525	3.18	●	●	●	●
TCNGN090312WE10-4			●	●	●	●
TCNGN090312XE10-4			●	●	●	●
TCNGN120408VE10-4	12.7	4.76	●	●	●	●
TCNGN120408WE10-4			●	●	●	●
TCNGN120408XE10-4			●	●	●	●
TCNGN120412VE10-4	12.7	4.76	●	●	●	●
TCNGN120412WE10-4			●	●	●	●
TCNGN120412XE10-4			●	●	●	●