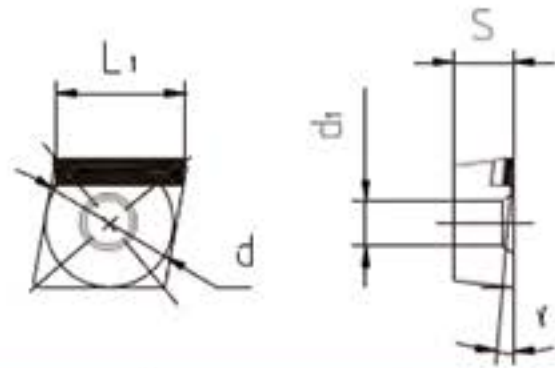
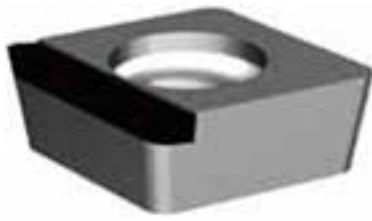
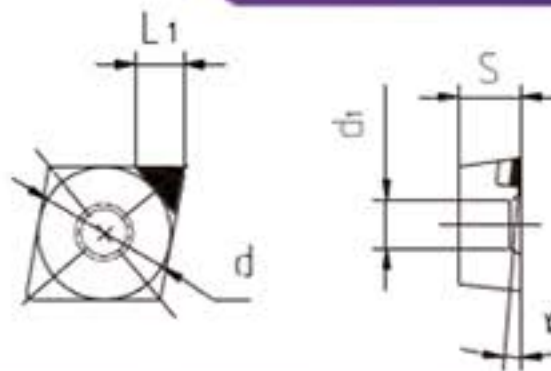


## PCD Tip Front Corner



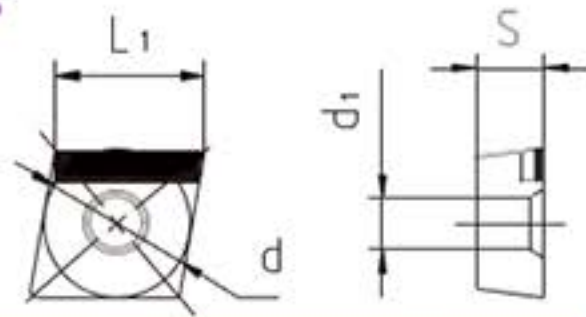
Model	Size				Material		
	d	S	d <sub>1</sub>	L <sub>1</sub>	GT25	GT10	GT302
CCGW060204LF03-R1	6.35	2.38	2.8	6	●	●	●
CCGW060204LF05-R1					●	●	●
CCGW060204LF07-R1					●	●	●
CCGW060208LF03-R1	6.35	2.38	2.8	5.6	●	●	●
CCGW060208LF05-R1					●	●	●
CCGW060208LF07-R1					●	●	●
CCGW09T304LF03-R1	9.525	3.97	4.4	9.2	●	●	●
CCGW09T304LF05-R1					●	●	●
CCGW09T304LF07-R1					●	●	●
CCGW09T308LF03-R1	9.525	3.97	4.4	8.8	●	●	●
CCGW09T308LF05-R1					●	●	●
CCGW09T308LF07-R1					●	●	●
CCGW120404LF03-R1	12.7	4.76	5.5	12.5	●	●	●
CCGW120404LF05-R1					●	●	●
CCGW120404LF07-R1					●	●	●
CCGW120408LF03-R1	12.7	4.76	5.5	12	●	●	●
CCGW120408LF05-R1					●	●	●
CCGW120408LF07-R1					●	●	●
CCGW060204LF03-L1	6.35	2.38	2.8	6	●	●	●
CCGW060204LF05-L1					●	●	●
CCGW060204LF07-L1					●	●	●
CCGW060208LF03-L1	6.35	2.38	2.8	5.6	●	●	●
CCGW060208LF05-L1					●	●	●
CCGW060208LF07-L1					●	●	●
CCGW09T304LF03-L1	9.525	3.97	4.4	9.2	●	●	●
CCGW09T304LF05-L1					●	●	●
CCGW09T304LF07-L1					●	●	●
CCGW09T308LF03-L1	9.525	3.97	4.4	8.8	●	●	●
CCGW09T308LF05-L1					●	●	●
CCGW09T308LF07-L1					●	●	●
CCGW120404LF03-L1	12.7	4.76	5.5	12.5	●	●	●
CCGW120404LF05-L1					●	●	●
CCGW120404LF07-L1					●	●	●
CCGW120408LF03-L1	12.7	4.76	5.5	12	●	●	●
CCGW120408LF05-L1					●	●	●
CCGW120408LF07-L1					●	●	●

## PCD Tip Front Corner



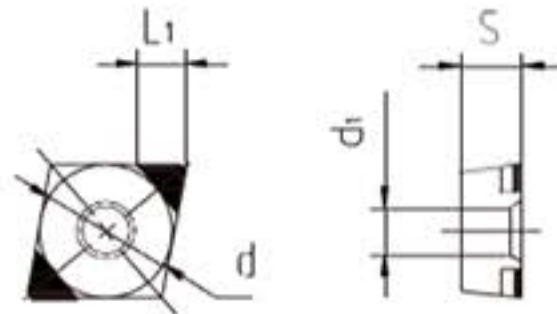
Model	Size				Material		
	d	S	d <sub>i</sub>	L <sub>1</sub>	GT25	GT10	GT302
CCGW060204SF03-X1	6.35	2.38	2.8	3.1	●	●	●
CCGW060204SF04-X1					●	●	●
CCGW060204SF05-X1					●	●	●
CCGW060204SF07-X1					●	●	●
CCGW060204SF10-X1					●	●	●
CCGW060204SF15-X1					●	●	●
CCGW060208SF03-X1	6.35	2.38	2.8	3	●	●	●
CCGW060208SF04-X1					●	●	●
CCGW060208SF05-X1					●	●	●
CCGW060208SF07-X1					●	●	●
CCGW060208SF10-X1					●	●	●
CCGW060208SF15-X1					●	●	●
CCGW09T304SF03-X1	9.525	3.97	4.4	3.5	●	●	●
CCGW09T304SF04-X1					●	●	●
CCGW09T304SF05-X1					●	●	●
CCGW09T304SF07-X1					●	●	●
CCGW09T304SF10-X1					●	●	●
CCGW09T304SF15-X1					●	●	●
CCGW09T308SF03-X1	9.525	3.97	4.4	3.4	●	●	●
CCGW09T308SF04-X1					●	●	●
CCGW09T308SF05-X1					●	●	●
CCGW09T308SF07-X1					●	●	●
CCGW09T308SF10-X1					●	●	●
CCGW09T308SF15-X1					●	●	●
CCGW120404SF03-X1	12.7	4.76	5.5	4.7	●	●	●
CCGW120404SF04-X1					●	●	●
CCGW120404SF05-X1					●	●	●
CCGW120404SF07-X1					●	●	●
CCGW120404SF10-X1					●	●	●
CCGW120404SF15-X1					●	●	●
CCGW120408SF03-X1	12.7	4.76	5.5	4.6	●	●	●
CCGW120408SF04-X1					●	●	●
CCGW120408SF05-X1					●	●	●
CCGW120408SF07-X1					●	●	●
CCGW120408SF10-X1					●	●	●
CCGW120408SF15-X1					●	●	●

## PCD Tip with a Front Angle of 0 Degrees



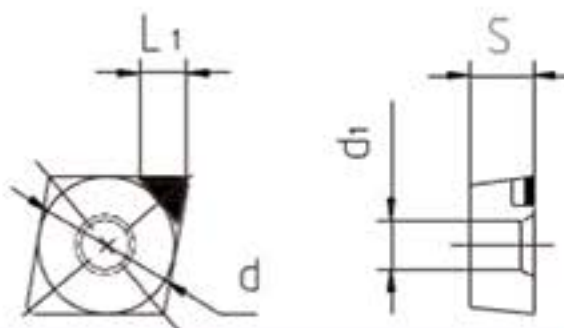
Model	Size				Material		
	d	S	d <sub>1</sub>	L <sub>1</sub>	GT25	GT10	GT302
CCGW060204LF00-R1	6.35	2.38	2.8	6	●	●	●
CCGW060208LF00-R1	6.35	2.38	2.8	5.6	●	●	●
CCGW09T304LF00-R1	9.525	3.97	4.4	9.2	●	●	●
CCGW09T308LF00-R1	9.525	3.97	4.4	8.8	●	●	●
CCGW120404LF00-R1	12.7	4.76	5.5	12.5	●	●	●
CCGW120408LF00-R1	12.7	4.76	5.5	12	●	●	●
CCGW060204LF00-L1	6.35	2.38	2.8	6	●	●	●
CCGW060208LF00-L1	6.35	2.38	2.8	5.6	●	●	●
CCGW09T304LF00-L1	9.525	3.97	4.4	9.2	●	●	●
CCGW09T308LF00-L1	9.525	3.97	4.4	8.8	●	●	●
CCGW120404LF00-L1	12.7	4.76	5.5	12.5	●	●	●
CCGW120408LF00-L1	12.7	4.76	5.5	12	●	●	●

## PCD Tip Front Corner



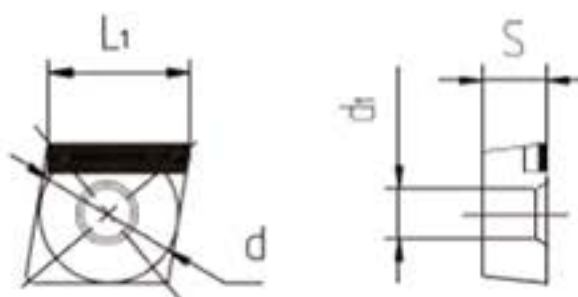
Model	Size				Material		
	d	S	d <sub>1</sub>	L <sub>1</sub>	GT25	GT10	GT302
CCGW060204SF00-X1	6.35	2.38	2.8	3.1	●	●	●
CCGW060208SF00-X1	6.35	2.38	2.8	3	●	●	●
CCGW09T304SF00-X1	9.525	3.97	4.4	3.5	●	●	●
CCGW09T308SF00-X1	9.525	3.97	4.4	3.4	●	●	●
CCGW120404SF00-X1	12.7	4.76	5.5	4.7	●	●	●
CCGW120408SF00-X1	12.7	4.76	5.5	4.6	●	●	●

## PCD Tip Chip-Breaking Grooves



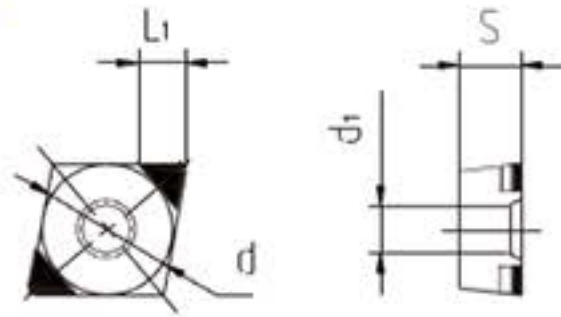
Model	Size				Material		
	d	S	d <sub>1</sub>	L <sub>1</sub>	GT25	GT10	GT302
CCGT060202SF00-X1	6.35	2.38	2.8	3.4	●	●	●
CCGT060204SF00-X1	6.35	2.38	2.8	3.2	●	●	●
CCGT09T304SF00-X1	9.525	3.97	4.4	4.3	●	●	●
CCGT09T308SF00-X1	9.525	3.97	4.4	4.1	●	●	●

## PCD Tip 0° Front Corner



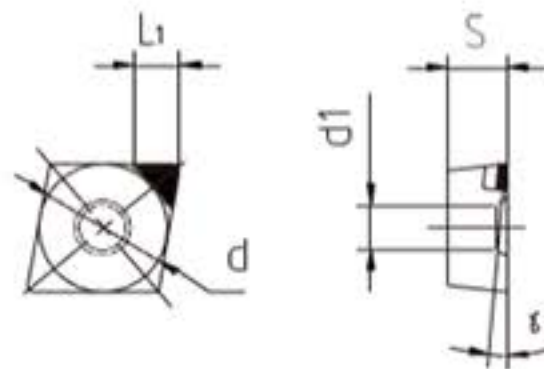
Model	Size				Material		
	d	S	d <sub>1</sub>	L <sub>1</sub>	GT25	GT10	GT302
CPGW060204LF00-R1	6.35	2.38	2.8	6.2	●	●	●
CPGW060208LF00-R1	6.35	2.38	2.8	6.1	●	●	●
CPGW09T304LF00-R1	9.525	3.97	4.4	9.4	●	●	●
CPGW09T308LF00-R1	9.525	3.97	4.4	9.3	●	●	●
CPGW060204LF00-L1	6.35	2.38	2.8	6.2	●	●	●
CPGW060208LF00-L1	6.35	2.38	2.8	6.1	●	●	●
CPGW09T304LF00-L1	9.525	3.97	4.4	9.4	●	●	●
CPGW09T308LF00-L1	9.525	3.97	4.4	9.3	●	●	●

## PCD Tip with a Front Angle of 0 Degrees



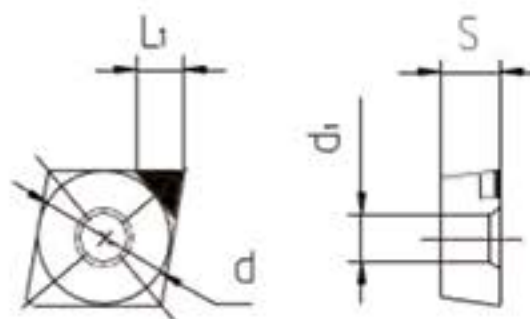
Model	Size				Material		
	d	S	d <sub>i</sub>	L <sub>1</sub>	GT25	GT10	GT302
CPGW060204SF00-X2	6.35	2.38	2.8	3.1	●	●	●
CPGW060208SF00-X2	6.35	2.38	2.8	3	●	●	●
CPGW09T304SF00-X2	9.525	3.97	4.4	3.5	●	●	●
CPGW09T308SF00-X2	9.525	3.97	4.4	3.4	●	●	●

## PCD Tip Front Corner



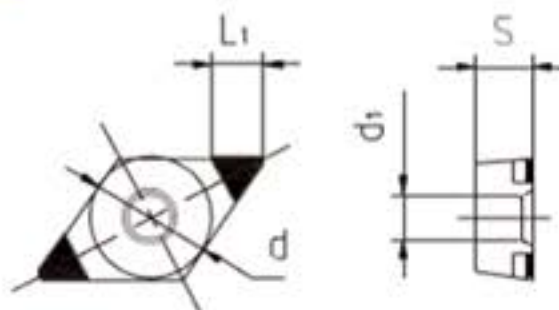
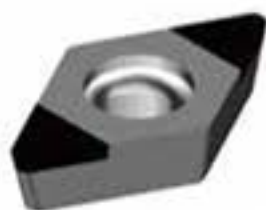
Model	Size				Material		
	d	S	d <sub>i</sub>	L <sub>1</sub>	GT25	GT10	GT302
CPGW060204SF03-X1	6.35	2.38	2.8	3.1	●	●	●
CPGW060204SF05-X1					●	●	●
CPGW060208SF03-X1	6.35	2.38	2.8	3	●	●	●
CPGW060208SF05-X1					●	●	●
CPGW09T304SF03-X1	9.525	3.97	4.4	3.5	●	●	●
CPGW09T304SF05-X1					●	●	●
CPGW09T308SF03-X1	9.525	3.97	4.4	3.4	●	●	●
CPGW09T308SF05-X1					●	●	●

## PCD Tip Chip-Breaking Grooves



Model	Size				Material		
	d	S	d <sub>1</sub>	L <sub>1</sub>	GT25	GT10	GT302
CPGT060204SF00-X1	6.35	2.38	2.8	3.1	●	●	●
CPGT060208SF00-X1	6.35	2.38	2.8	3	●	●	●
CPGT09T304SF00-X1	9.525	3.97	4.4	3.5	●	●	●
CPGT09T308SF00-X1	9.525	3.97	4.4	3.4	●	●	●

## PCD Tip with a Front Angle of 0 Degrees



Model	Size				Material		
	d	S	d <sub>1</sub>	L <sub>1</sub>	GT25	GT10	GT302
DCGW070202SF00-X2	6.35	2.38	2.8	3.7	●	●	●
DCGW070204SF00-X2	6.35	2.38	2.8	3.4	●	●	●
DCGW070208SF00-X2	6.35	2.38	2.8	3	●	●	●
DCGW11T304SF00-X2	9.525	3.97	4.4	3.9	●	●	●
DCGW11T308SF00-X2	9.525	3.97	4.4	3.5	●	●	●